



KONICA MINOLTA

**bizhub 4750i**  
**bizhub 4050i**

Black & White multi-function printer



# **bizhub 4750i / 4050i**

## **SPECIFICATION & INSTALL GUIDE**

**RETHINK IT**



Giving Shape to Ideas

## Table of Contents

Specifications	3
Duty Cycle	5
Environmental Requirements	6
Basic Configuration	6
Space Requirements	7
Accessories	8
Mixed Original Support	14
Standard Paper Tray Support	14
Print Controller (Standard)	15
Network Functions	15
Print Drivers	15
Scanning Function	17
Software Tools	17
Security	18
Paper Considerations	19
Paper Weight Conversion Chart	19
Paper Type Specifications	20
Recommended Paper Stocks	20
How to Build a System	22
Accessory Options	23



## BIZHUB 4750I/4050I SPECIFICATIONS

TYPE	PRINTER
Type	Digital Printer/Copier/Scanner
Document Holder	Stationary (mirror scanning)
Photoconductor	OPC
Luminous Source	LED light-source illumination
Copying System	Laser electrostatic copy method
Developing System	Dry-2 component developing method
Resolution	Scanning: 600 x 600 dpi Printing: 1200 x 1200 dpi
Document Holder	Types: Sheets, books (2-page spreads), three-dimensional objects Size: Maximum 8.5" x 14"
Paper	Plain Paper (16 lb to 24 lb) Plain Paper+ (24.75 lb to 28 lb) Thick Paper 1 (24.25 lb to 32 lb) Thick Paper 1+ (32.25 lb to 41.75 lb) Thick Paper 2 (42 lb to 55.5 lb) Coated Paper 1 (24 lb to 32 lb) Coated Paper 1+ (32.25 lb to 41.75 lb) Coated Paper 2 (42 lb) Recycled Paper (16 lb to 24 lb) Special Paper (16 lb to 24 lb) Letterhead (16 lb to 24 lb) Color Paper (16 lb to 24 lb) 1-Sided Special Paper (16 lb to 24 lb) Envelopes, Label Sheets, Tabs, Postcards
Copy Sizes	1 <sup>st</sup> Tray: 3.9" x 5.8" to 8.5" x 11" Bypass Tray: 3.5" x 8.8" to 8.5" x 14"
Paper Tray Capacity	1 <sup>st</sup> Tray: Thin Paper/Plain Paper/Recycled Paper/Special Paper/Color Paper/ 1-Sided Special Paper: 500 sheets Thick Paper 1/1+/2/Coated Paper 1/1+/2/Postcards: 20 sheets Envelopes: 30 Postcards/Label Sheets: 20 sheets Bypass Tray: Plain Paper/Recycled Paper/Special Paper/Letterhead/Color Paper/ 1-Sided Special Paper: 100 sheets Thick Paper 1/1+/2/Coated Paper 1/1+/2/Postcards/Tabs: 20 sheets Envelopes: 10 Banner Paper/Label Sheets: 10 sheets
Warm-Up Time	Less than 15 seconds (at room temperature/73° F)

## BIZHUB 4750I/4050I SPECIFICATIONS

TYPE	DESCRIPTION
<b>Image Loss Width</b>	Leading edge: 0.116" ± 0.079" Trailing edge: 0.116" ± 0.079" Rear edge: 0.116" ± 0.079" Front edge: 0.116" ± 0.079"
<b>First Copy</b>	4750i: 4.3 sec. or less 4050i: 4.8 sec. or less
<b>Print Speed*</b> (Full Color/B&W) (Simplex/Duplex)	4750i: Plain paper: 50 sheets/min. Thick 1/Thick1+/Thick 2: 21 sheets/min. 4050i: Plain paper: 42 sheets/min. Thick 1/Thick 1+/Thick 2: 21 sheets/min.
<b>Magnification Ratios (Preset)</b>	1.0 (full size: 1.00 ± 0.5% or less) Enlarge: 129.4%, 154.5%, 200% Reduce: 78.5%, 64.7%, 60.7%, 50.0% Stored Zoom Ratios: 3
<b>Multiple Copies</b>	1 to 9,999 sheets
<b>Density Control</b>	Copy Density: Manual Density Adjustment (9 Levels) Background Density: Automatic and Manual Density Adjustments (9 levels)

## BIZHUB 4750I/4050I SPECIFICATIONS

TYPE	DESCRIPTION
Power Requirements	120V, 12 A, 60 Hz
Power Consumption	1.45 kW or less
TEC Value	4750i: 0.77 kWh 4050i: 0.64 kWh
Dimensions (with control panel)	18.5" (W) x 20.8" (D) x 22.5" (H)
Space Requirements*	30.8" (W) x 37.6" (D) x 31.2" (H)
Memory	5 GB (Std.)
Solid State Drive	256 GB (Std.)
Weight	Approx. 78 lb

\* The indicated space requirements represent the space required to pull out the paper tray and the tray extension of the bypass tray and with the ADF open.

## DUTY CYCLE

bizhub 4750i/4050i

Up to 120,000

Maximum monthly copy/print volume supported under standard vendor supplied service. Defines the upper end of the expected customer volume for the device. Customers should consider multiple machines if average monthly volume approaches duty cycle on continual basis.



## ENVIRONMENTAL REQUIREMENTS

TYPE	DESCRIPTION
Temperature	50° F to 86° F
Humidity	15% to 85%
Noise During Operation	4750i: 73.3 dB or less 4050i: 72.5 or less
Noise During Standby	43.5 dB or less
Ozone Emission	0.25 mg/h or less

## ELECTRICAL REQUIREMENTS

TYPE	DESCRIPTION
Line Options	Dedicated
Voltage	110 V/120V
Amperage	12A
Cycles	60 Hz
NEMA Part No.	5-15R
Cord Length	6.6 ft.

NEMA Diagram for 5-15R

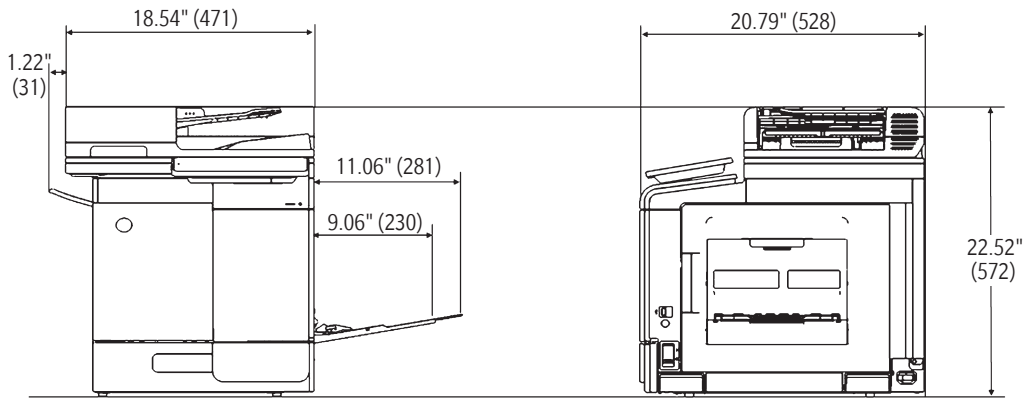


Note: The main electrical outlet must be located within 6.6 feet from the right rear corner of the bizhub 4750i/4050i main unit.

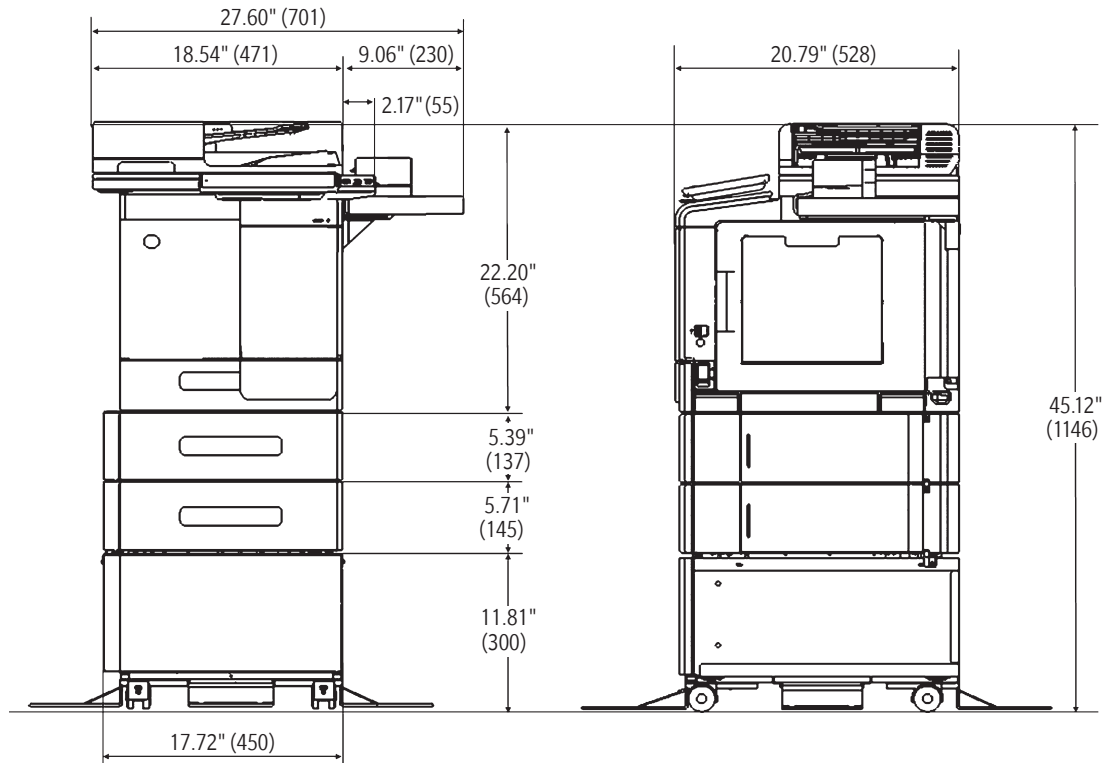
## SAMPLE CONFIGURATION



## SPACE REQUIREMENTS



**bizhub 4750i/4050i**



**bizhub 4750i/4050i + PF-P21 + PF-P25 + DK-P05**

## ACCESSORIES

### AUTOMATIC DUPLEX UNIT (STANDARD)

<b>Supported Paper Type</b>	Plain Paper (16 lb to 24 lb) Thick Paper 1 (24.25 lb to 32 lb) Thick Paper 1+ (32.25 lb to 41.75 lb) Thick Paper 2 (42 lb to 55.5 lb) Recycled Paper (16 lb to 24 lb) Special Paper (16 lb to 24 lb) Color Paper (16 lb to 24 lb)
<b>Supported Paper Size</b>	4.7" x 8.8" to 8.5" x 14"
<b>Power Requirements</b>	Supplied from main unit

### DUAL SCANNER DOCUMENT FEEDER (STANDARD)

<b>Type</b>	Single Pass Duplex Document Feeder
<b>Supported Paper Types</b>	1-Sided/2-Sided Originals/Mixed Originals: 8.5" x 14"L to 5.5" x 8.5"
<b>Supported Paper Size</b>	Single-Sided/Double-Sided: 13.5 lb bond to 34 lb bond Mixed Original: 13.5 lb bond to 34 lb bond 1-Sided Plain Paper (13.25 lb to 34 lb) 2-Sided Plain Paper (13.25 lb to 34 lb) Mixed Original Plain Paper (13.25 lb to 34 lb)
<b>Paper Capacity</b>	Max. 80 sheets (21.25 lb) (Single-Sided/Double-Sided Originals)
<b>Scan Speed</b>	48 images/min (one-sided @ 200 dpi) (B&W/Color) 96 images/min (double-sided @ 200 dpi) (B&W/Color)
<b>Power Requirements</b>	Supplied from main unit.

### FK-517 FAX KIT (STANDARD ON 4750I/OPTIONAL ON 4050I)

<b>Number of Stored Pages</b>	10,000 Pages (approx. 700 characters per page when 8.5" x 11" document is stored using fine resolution)
<b>Number of Fax Lines</b>	1 Fax Line (Standard on 4750i; Optional on 4050i)
<b>Communication</b>	ECM/Super G3
<b>Compatible Lines</b>	PSTN, PBX
<b>Scanning Line Density</b>	Ultra Fine: 600 x 600 dpi Super Fine: 16 dot/mm x 15.4 line/mm, 400 x 400 dpi Fine: 8 dot/mm x 7.7 line/mm, 200 x 200 dpi Normal: 8 dot/mm x 3.85 line/mm
<b>Modem Speed</b>	2.4 kbps-33.6 kbps
<b>Compression</b>	MH/MR/MMR/JBIG
<b>Scanning/(Sending) Paper Size</b>	Original Glass: Max. 11" x 17" ADF: 11" x 39" (Normal, Fine, Super Fine) 11" x 17" (Ultra Fine, Manual TX)
<b>Reording Paper Size</b>	8.5" x 14" to 5.5" x 8.5"
<b>Transmission Speed</b>	Approx. 3 sec. (A4, V.34, 33.6 Kbps, JBIG)
<b>Scan Speed</b>	2 sec. (Letter/Fine Mode)
<b>Number of Abbr. Dial</b>	2000
<b>Number of Program Dial</b>	400
<b>Number of Group Dial</b>	100 (Up to 500 destinations per group)
<b>Sequential Multiple</b>	Max. 600 Station Transmission
<b>Transmitting Function</b>	2-in-1 TX, Mixed Original, F-Code Transmission, Frame Erase Transmission, Sharpness, Header/Footer, Memory Transmission, Quick Memory Transmission, Timer Transmission, Incomplete Transmission Hold, Manual Transmission, Confidential Transmission, Password Transmission, Polling Transmission, Bulletin Function, Relay Transmission, Fax Forwarding Function, Overseas TX, V.34 OFF, ECM OFF
<b>Receiving Functions</b>	Duplex Print (RX), Manual Reception, Confidential Reception, Memory Reception, Polling Reception, Bulletin Function, Fax Forwarding (to any destination stored in the Address Book), TSI Routing (to any destination stored in the Address Book).



## ACCESSORIES

### PF-P21 PAPER FEED CABINET (ADD UP TO TWO)

<b>Type</b>	1 x 500 sheet drawer
<b>Support Paper Types</b>	Plain Paper (16 lb bond to 24 lb bond), Recycled Paper (16 lb to 24 lb), Single Side Only Paper (16 lb bond to 24 lb bond), Special Paper (16 lb bond to 24 lb bond), Letterhead (16 lb bond to 24 lb bond), Colored Paper (16 lb bond to 24 lb bond)
<b>Supported Paper Size</b>	8.5" x 14" to 7.25" x 10.5"
<b>Paper Capacity</b>	500 sheets (21 lb)
<b>Power Requirements</b>	Supplied from Main Unit
<b>Max. Power Consumption</b>	Less than 15W
<b>Dimensions (W x D x H)</b>	17.7" x 20.8" x 5.7"
<b>Weight Approx.</b>	18.5 lb

### PF-P25 HEIGHT ADJUSTMENT UNIT

<b>Type</b>	Height Adjustment Unit
<b>Function</b>	Increases working height of the machine. Suggested if the machine is configured with the DK-P05 and fewer than two PF-P21 Paper Feeder Cabinets.

### DK-P05 COPY DESK

<b>Type</b>	Storage drawer only
<b>Function</b>	Stores printing materials such as paper or toner. Recommended when additional paper drawers are installed, to bring the device to operational height
<b>Dimensions (W x D x H)</b>	17.7" x 20.8" x 13.8"
<b>Weight Approx.</b>	30 lb

### KP-102 10-KEY PAD

<b>Type</b>	10-Key Pad
<b>Function</b>	Provides hard keys for entering numerical values and supports Voice Guidance function available with optional LK-104 v3 i-Option License Kit. Meets Section 508 Accessibility requirements.

### EXTERNAL KEYBOARD

<b>Type</b>	QWERTY Keyboard
<b>Function</b>	Computer-type keyboard for alphanumeric data entry. Requires KH-P02 Keyboard Holder and EK-P08 or EK-P09 USB Interface Kit.

### KH-P02 KEYBOARD HOLDER

<b>Type</b>	Mount Kit
<b>Function</b>	Required for installation of External Keyboard

## ACCESSORIES

### AU-102 BIOMETRIC AUTHENTICATION UNIT

Biometric Sensor System	Transmission-type optical system
Verification Time	Approx. 1 sec. or less
Interface	USB 2.0
Dimensions WxDxH	Approx. 2.3" x 3.3" x 2.9"
Weight	Approx. 3 oz. (excluding USB cable)
Max. Power Consumption	DC 5 V, 500 mA
System Conditions	Ambient temperature: 41° to 95° (F) (during operation) Humidity: 20% to 80% (No dew condensation)
System Conditions (during non-operation)	Ambient temperature: 32° to 122° (F) Humidity: 20% to 80% (No dew condensation)

*NOTE: WT-P03 Working Table is required for AU-102 Biometric Authentication Unit.*

### AU-204H MAGNETIC STRIPE CARD READER

Dimensions WxDxH	1.3" x 1.2" x 3.9"
Weight	4.5 oz.
Power Supply	Supplied from USB Port
System Conditions (operating mode)	Ambient Temperature: 40° to 158° F Humidity: 10% to 90%
Transmit Frequency	3-60 i.p.s.
Certifications	ISO 7810 and ISO 7811/AAMVA
Card Type Compatibility	All magnetic stripe cards

*NOTE: WT-P03 Working Table required for AU-204H Magnetic Stripe Card Reader.*

### AU-205H IC CARD READER

Dimensions WxDxH	2.8" x 3.7" x 0.6"
Weight	0.25 lb
Power Supply	Supplied from USB Port
System Conditions	Ambient Temperature: 31° to 150° F (operating mode) Humidity: 5% to 95%
Card/Protocols	HID PROX, HID Indala® Prox, EM Prox Low Frequency (125 kHz)
Card/Protocols High Frequency (13.5 MHz)	CCID: MIFARE Classic™ 1K/4K, Ultra Light, Ultra Light C, Plus, MIFARE DESFire™ 0.6, MIFARE DESFire™ EV1, IC Card, iClass SE/SR®, MIFARE SE™, DESFire EV1 SE, T=CL, ISO 14443 A with up to 848 kbps transmission rate (depending on card*), ISO 15693 with up to 26 kbps transmission rate (depending on card)

*NOTE: WT-P03 Working Table or MK-P08 Mount Kit (internal mount) required.*

*\*424 kbps default rate, 848 kbps configurable through web interface.*



## ACCESSORIES

### AU-211P CAC/PIV SOLUTION W/CERTIFICATE

Dimensions WxDxH	2.8" x 2.8" x 0.4"
Weight	0.13 lb
Power Supply	Supplied from USB Port
System Conditions	0° to 122° F (operating mode)
Interface	Full Speed USB (12 Mbps)
Connector Shape	USB A Type Connector
Compatible Card	PKI-C-Card (PIV, CAC)
<i>NOTE: WT-P03 Working Table required. Please contact your local Government Account Manager for additional information.</i>	

### MK-P08 MOUNT KIT

Type	Internal Component
Function	Required for internal installation of AU-205H

### WT-P03 WORKING TABLE

Type	External Table
Function	Holds AU-102 Biometric Authentication Unit, AU-201H HID Proximity Card Reader, AU-202H HID iClass Reader, AU-204H Magnetic Stripe Card Reader, AU-205H IC Card Reader or AU-211P CAC/PIV Solution; Can be used as a place holder for originals and/or output.
Dimensions WxDxH	9.1" x 13.4" x 1.1"

### EK-P08 USB HOST/LOCAL INTERFACE

Type	USB Interface
Function	Required to connect optional External Keyboard or optional i-Option LK-104 v3 Voice Guidance License kit.

## ACCESSORIES

### EK-P09 USB HOST/LOCAL INTERFACE WITH BLUETOOTH

<b>Type</b>	USB Interface with Bluetooth
<b>Function</b>	Required to connect optional External Keyboard or optional i-Option LK-104 v3 Voice Guidance License Kit.

### LK-104 V3 i-OPTION LICENSE KIT

<b>Type</b>	License Key
<b>Function</b>	Voice Guidance

### LK-105 V4 i-OPTION LICENSE KIT

<b>Type</b>	License Key
<b>Function</b>	Provides Searchable PDF function
	Note: The LK-110 v3 supports the same functions as the LK-105 v4, therefore, both license kits cannot be installed on the same device.

### LK-106 i-OPTION LICENSE KIT

<b>Type</b>	License Key
<b>Function</b>	Supports Bar Code Font Printing

### LK-107 i-OPTION LICENSE KIT

<b>Type</b>	License Key
<b>Function</b>	Supports Unicode Font Printing

### LK-108 i-OPTION LICENSE KIT

<b>Type</b>	License Key
<b>Function</b>	Supports OCR Font Printing

### LK-110 V3 i-OPTION LICENSE KIT

<b>Type</b>	License Key
<b>Function</b>	OOXML format file conversion for docx/xlsx, fax to searchable PDF, convert box data to compact PDF, direct print e-mail attached file. Combines LK-102 (Encrypted PDF) & LK-105 (Searchable PDF/OCR) functionality.
	Note: If you install the LK-110 v3 on a device, you cannot install the LK-105 v4 on the same device.

### LK-111 i-OPTION LICENSE KIT

<b>Type</b>	License Key
<b>Function</b>	Provides ThinPrint client support

### LK-116 i-OPTION LICENSE KIT

<b>Type</b>	License Key
<b>Function</b>	Provides BitDefender® antivirus real time scanning of incoming and outgoing data.

## ACCESSORIES

### CS-1 CONVENIENCE STAPLER

Type	Standalone electronic stapler
Stapling Capacity	Up to 50 sheets
Paper Weight	Up to 90 gsm
Durability Cycle	Up to 200,000 stapling operations
Staple Position	Side or corner of document
Type of Clinch	Flat clinch
Dimensions WxDxH	5.3" x 5.7" x 7.5"
Weight	Approx. 4 lb
Power Supply	AC adaptor (supplied). Separate power output required.
Refill Staples	SK-602 (No. 505: 5,000 staples)

### FS-P04 OFF-LINE STAPLER

Type	Stapling (off-line)
Staple capacity	20 sheets (90 gsm)
Power supply	From device
Staples	SK-501
Dimensions (WxHxD)	4.3" x 4.6" x 2.9"
Weight	Approx. 2 lb
Function	Provides finishing capabilities. Can be installed on working table WT-P03 or separately.

## MIXED ORIGINAL SUPPORT

Document size <sup>2</sup>	MAXIMUM DOCUMENT WIDTH <sup>1</sup>	
	8.5" x 14" landscape	8.5" x 11" landscape
8.5" x 14" (L)	•	•
8.5" x 11" (L)	•	•

<sup>1</sup> Indicates the width of the widest document size of the mixed originals

<sup>2</sup> Indicates the document sizes that can be mixed together based on the maximum document width.

• Possible    x Not Possible

## STANDARD PAPER TRAY SUPPORT

MAIN UNIT - bizhub 4750i/4050i (PAPER TRAY 1)

Component	Capacity	Size	Weight
Tray 1	500 sheets	8.5" x 11"	14 lb bond to 24 lb bond
Bypass	150 sheets	8.5" x 14"	16 lb bond to 79.75 lb bond

## PRINT CONTROLLER (STANDARD)

Type	Internal Type
CPU	1.6 GHz Quad Core Processor (shared with copier)
Memory	5 GB (shared with copier) 256 GB Solid State Drive (shared with copier)
Print Speed	4750i: 50 ppm letter 4050i: 42 ppm letter
Print Resolution	600 x 600 dpi (1800 equivalent x 600 dpi), 1200 x 1200 dpi
PDL	PCL 5e/c emulation, PCL6 (XL version 3.0), PS 3 (Version 3016) Emulation, XPS
Protocol	TCP/IP (IPv4/IPv6), BOOTP, ARP, ICMP, DHCP, DHCPv6, AutoIP, SLP, SNMP, FTP, LPR/LPD, RAW Socket, SMB over TCIP/IP, IPP, HTTP, POP, SMTP, LDAP, NTP, SSL, IPX, AppleTalk, Bonjour, NetBEUI, WebDAV, DPWS, S/MIME, IPsec, DNS, Dynamic DNS, LLMNR, LLTD, SSDP, SOAP
Font	PCL Resident Fonts: 80 Roman fonts PS3 Emulation Resident Fonts: 137 Roman Type 1 fonts
Interface	Standard Ethernet (10Base-T/100Base-TX/1000Base T); Hi-Speed USB 2.0, USB 1.1, USB Host

## NETWORK FUNCTIONS

Sending the Scanned Data in an Email Message	Scanned data can be sent to a specified Email address. The destination is specified from the touch panel of this machine and the scanned data is sent as an Email attachment.
Sending Scanned Data as Files (FTP)	The FTP server address, login password, and other information are entered from the touch panel of this machine. The data files uploaded to the FTP server can be downloaded from a computer on the network.
Sending Scanned Data to a Computer on the Network (SMB)	Scanned data can be sent to a shared folder on a specified computer. The name of the destination computer, login password, and other information are entered from the touch panel of this machine.
Saving Scanned Data in Boxes	Scanned data is uploaded to a specified web server. The host name, file path, user name, and password are entered on the touch panel of the machine. The data files uploaded to the server can be downloaded from a computer on the network.
Using the Machine as a Scanner	This machine can be used as a scanner. The scanner can be controlled from a PC connected to the network, and the scanned image can be loaded into an application on the PC to be processed.
Web Service (Standard)	This machine can be used to access the Internet.

## PRINT DRIVERS

PCL 6 Drivers	Konica Minolta PCL Driver	Windows 7/8.1/10 Windows 7/8.1/10 64-bit Windows Server 2008 Windows Server 2008/2008 R2/Server 2012/Server 2012 R2/ Server 2016 64-bit
PostScript 3 Emulation	Konica Minolta PostScript 3 Driver	Windows 7/8.1/10 Windows 7/8.1/10 64-bit Windows Server 2008 Windows Server 2008/2008 R2/Server 2012/Server 2012 R2/ Server 2016 64-bit Macintosh OSX PPD file for Red Hat Enterprise Linux (CUPS ver. 1.1.22) 10.9/10.10/10.11/10.12/10.13 PPD+PDE printer driver
XPS Driver Emulation	Konica Minolta XPS Driver	Windows 7/8.1/10 Windows 7/8.1/10 64-bit Windows Server 2008 Windows Server 2008/2008 R2/Server 2012/Server 2012 R2/ Server 2016 64-bit
Fax Driver	Konica Minolta	Windows 7/8.1/10 Windows 7/8.1/10 64-bit Windows Server 2008 Windows Server 2008/2008 R2/Server 2012/Server 2012 R2/ Server 2016 64-bit







## SCANNING FUNCTION

Type	Full-Color Scanner
Scanning Size	8.5" x 14" to 5.5" x 8.5"
Scanning Resolution	Push Scanning: 600/400/300/200 dpi Pull Scanning: 600/400/300/200/100 dpi
Scanning Speed	Duplex: 96 opm (300 dpi) Simplex: 48 opm (300 dpi)
Main Function	Scan-to-Email, Scan-to-User Box (HDD), Scan-to-FTP, Scan-to-USB, Scan-to-SMB (Desktop Folder), Scan-to-Me, Scan-to-Home, Scan-to-Scan Server, Network Twain (via Ethernet TCP/IP), Scan-to-WebDAV, WS-Scan
Interface	10Base-T/100Base-TX/1000Base-T
Protocol	TCP/IP (FTP, SMB, SMTP)
Supported OS	Windows 7/8.1/10, Windows 7/8.1/10 64-bit
Output Format	Single TIFF, Multi TIFF, JPEG, PDF, Compact PDF, XPS, Compact XPS TIFF (MH, MMR), PDF (MH, MMR, JPEG), JPEG, Outline PDF, PPTX, Searchable PDF, PDF/A, Linearized PDF
Driver	Real Time TWAIN Driver, HDD TWAIN Driver
Address Setting	LDAP, Import/Export address from PageScope Web Connection
Authentication	SMTP Authentication, Network User Authentication (Active Directory, Novell, NDS, NTLM ver. 1, NTLM ver. 2, LDAP)

*† Text and image scanning speeds vary depending on the type of document.*

## SOFTWARE TOOLS

Network & Device Management	Data Administrator Driver Packaging Utility Log Management Utility Net Care Device Manager (Standard)
User Tools	Direct Print Box Operator Print Status Notifier Copy Protection Utility Print Utility for Unix Web Connection
Management Tools	bizhub vCare

## SECURITY

Because information assets are critical, a company needs to effectively protect against the many security risks it faces.	<ol style="list-style-type: none"> <li>1) Prevent Leaks of proprietary, confidential or personal information</li> <li>2) Prevent unauthorized use of equipment</li> <li>3) Effective data encryption</li> <li>4) Protect data from being altered, duplicated or deleted</li> <li>5) Prevent unauthorized access to data via the Internet</li> <li>6) Protect against cyber attacks</li> <li>7) Manage log history</li> </ol>
Protective Functions	<ul style="list-style-type: none"> <li>• Job Erase — Deletes Graphic Data (after each job)</li> <li>• Lock Job (when printing confidential documents)</li> <li>• Protect data by requiring department name and 8-digit password</li> <li>• Account Track</li> <li>• Prevent Unauthorized Use</li> <li>• Operation Log with 2,000-event memory</li> <li>• SDD Encryption</li> <li>• PDF Scan Encryption</li> <li>• Protective Functions</li> <li>• Copy Protection</li> <li>• Network Authentication</li> <li>• Single Sign-on Authentication</li> <li>• SMTP Authentication for Email</li> <li>• SSL/TSL Compatibility for PS Web Connection, PS Data Administrator and LDAP Server</li> <li>• Scan Data Encryption (TCP/socket SSL Compatibility)</li> <li>• LDAP Authentication</li> <li>• Box Operator Data Encryption</li> <li>• Verification of Box Data Receipt</li> <li>• IP Address Filtering</li> <li>• IP v6</li> <li>• Encrypted Network Password Printing</li> <li>• Scan-to-USB Memory with User Authentication</li> <li>• Print-from-USB Memory with User Authentication</li> <li>• S/MIME/Encryption</li> <li>• FIPS 140-2 Compliance</li> <li>• IEEE 2600.1 Security Ready</li> <li>• ISO 1540 EAL</li> </ul>
Optional Protective Functions	<ul style="list-style-type: none"> <li>• LK-116 Bitdefender Antivirus</li> <li>• AU-102 Biometric Authentication Unit</li> <li>• AU-204H Magnetic Stripe Card Reader</li> <li>• AU-205H IC Card Reader</li> <li>• AU-211P CAC/PIV Solution with Certificate</li> </ul>

## PAPER CONSIDERATIONS

PAPER SIZE CONVERSION CHART

Paper	Letter	Letter R	Legal	Tabloid	Statement	Statement R
Measurement	8.5" x 11"	11" x 8.5"	8.5" x 14"	11" x 17"	5.5" x 8.5"	8.5" x 5.5"

## PAPER CONSIDERATIONS

### PAPER SIZE CONVERSION CHART

Paper	Letter	Letter R	Legal	Statement	Statement R
Measurement	8.5" x 11"	11" x 8.5"	8.5" x 14"	5.5" x 8.5"	8.5" x 5.5"

## PAPER WEIGHT CONVERSION CHART

gsm	Bond	Offset	Cover	Tag	Index	Point	Bristol	CALIPER	
								inches	mm
60.20	16	40	22	37	33	3.2	27.4	0.0032	0.081
67.72	18	45	24	41	37	3.6	30.9	0.0036	0.092
75.20	20	50	28	46	42	3.8	34.3	0.0038	0.097
90.30	24	60	33	56	50	4.8	41.2	0.0048	0.120
105.35	28	70	39	64	58	5.8	48.1	0.0058	0.147
109.11	29	73	40	62	60	6.0	49.8	0.0060	0.152
116.63	31	81	45	73	66	6.1	53.2	0.0061	0.155
131.68	35	90	48	80	74	6.2	60.1	0.0062	0.157
135.45	36	90	50	82	75	6.8	61.8	0.0068	0.173
146.73	39	100	54	90	81	7.2	67.0	0.0072	0.183
150.50	40	100	56	93	83	7.3	68.7	0.0073	0.185
161.78	43	110	60	100	90	7.4	73.8	0.0074	0.188
165.55	44	110	61	102	92	7.6	75.5	0.0076	0.193
176.83	47	120	65	108	97	8.0	80.7	0.0078	0.198
199.41	53	135	74	122	110	9.0	91.0	0.0085	0.216
203.17	54	137	75	125	113	9.0	92.7	0.0090	0.229
218.22	58	146	80	134	120	9.5	99.6	0.0092	0.234
244.56	65	165	90	150	135	10.0	111.6	0.0095	0.241
252.08	67	170	93	156	140	10.5	115.1	0.0100	0.250
270.90	72	183	100	166	150	11.0	123.7	0.0110	0.289
285.95	76	192	105	175	158	13.0	130.5	0.0130	0.330
308.52	82	208	114	189	170	14.0	140.8	0.0140	0.356
312.00	87	220	120	200	180	15.0	142.4	0.0150	0.380
385.06	105	267	146	244	220	18.0	175.8	0.0175	0.445

## PAPER TYPE SPECIFICATIONS

Normal (Plain Paper)	The Normal paper is used for copying in general and is called "PPC paper." The normal paper is usually not a recycled paper. Specify [Normal] to the tray to which the normal paper or the recycled paper is loaded for copying.
Recycled Paper	Recycled Paper is identified as recycled paper along with a designation as to the percentage of the paper that is actually made from recycled materials. Generally speaking, these devices will support recycled paper weighing between 20 lb and 28 lb bond.
Thick Paper 1	Thick Paper 1 is paper weighing between 28 lb and 32 lb bond. It can be fed via any paper tray.
Thick Paper 1+	Thick Paper 1+ is paper weighing between 32.25 to 41.75 lb bond. It can be fed via any paper tray.
Thick Paper 2	Thick Paper 2 is paper weighing between 32 lb and 53 lb bond. It can be fed via any paper tray.
Envelopes	Specify (Envelope) for bypass tray.
Postcards	A Postcard is defined as a rectangular piece of the thick paper or thin cardboard. This product series supports 4" x 6" size postcards. Postcards are fed only via the Bypass Tray.
Coated Paper	Paper with a coating that makes its surface very smooth. Many coated stocks are shiny or glossy, while others have a dull matte finish. It can be fed from Tray 1 or the Bypass Tray.

## RECOMMENDED PAPER STOCKS

Class.	Weight	Brand of Paper	Size
<b>Plain Paper — Color</b>			
Plain Paper	20 lb. Bond (75 gr)	Domtar Recycled Copy(30% Post Consumer)	8.5" x 11"
Plain Paper	22 lb. Bond(80 gr)	Konica Minolta CF Paper	8.5" X 11"
Plain Paper	22 lb. Bond(80 gr)	Konica Minolta CF Paper	11" X 17"
Plain Paper	22 lb. Bond(80 gr)	Konica Minolta CF Paper	12" X 18"
Plain Paper	24 lb. Bond (89 gr)	SMART Carnival Stellar White	8.5" x 11"
Plain Paper	24 lb. Bond (89 gr)	SMART Carnival White	8.5" x 11"
Plain Paper	24 lb. Bond (90 gr)	SMART Synergy Bond 25% Cotton	8.5" x 11"
Plain Paper	24 lb. Bond (90 gr)	Domtar Microprint Laser	8.5" x 11"
Plain Paper	24 lb. Bond (90 gr)	Mohawk Color Copy 98 Bright White	8.5" x 11"
Thick 1	28 lb. Bond(105 gr)	Konica Minolta CF Paper	8.5" X 11"
Thick 1	28 lb. Bond(105 gr)	Konica Minolta CF Paper	11" X 17"
Thick 1	28 lb. Bond (105 gr)	Konica Minolta CF Paper	12" X 18"
Thick 1	28 lb. Bond (105 gr)	Domtar Microprint Color Copy	8.5" x 11"
Thick 1	32 lb. Bond(120 gr)	Hammermill Color Copy	8.5" X 11"
Thick 1	32 lb. Bond (120 gr)	Hammermill Color Copy Paper – Photo White	8.5" x 11"
Thick 2	60 lb. Cover(163 gr)	Hammermill Color Copy	8.5" X 11"

**Plain Paper — B & W**

Plain Paper	20 lb. Bond (75 gr)	Hammermill Tidal MP	8.5" X 11"
-------------	---------------------	---------------------	------------

**Double-Sided Glossy**

Thick 1	32 lb. Bond (120 gr)	Mohawk Color Copy Gloss Pure White	8.5" x 11"
---------	----------------------	------------------------------------	------------

Thick 1	80 lb. Text (118 gr)	Sappi Opus Gloss	8.5" x 11"
---------	----------------------	------------------	------------

Thick 1	90 lb. Text (133 gr)	SMART Kromekote Laser High Gloss Coated Two Sides*	8.5" x 11"
---------	----------------------	--	------------

**Cover Stock**

Thick 2	60 lb Cover (163 gr)	Domtar Microprint Color Copy Cover	8.5" x 11"
---------	----------------------	------------------------------------	------------

Thick 2	65 lb Cover (176 gr)	Domtar Microprint Color Copy Cover 8.5" x	8.5" x 11"
---------	----------------------	---	------------

**Labels**

Avery Dennison 5889 Postcard			8.5" x 11"
------------------------------	--	--	------------

Avery Dennison 6870 (30 labels per sheet)			8.5" x 11"
---	--	--	------------

Avery Dennison 6873 (8 labels per sheet)			8.5" x 11"
--	--	--	------------

Avery Dennison 6876 (2 labels per sheet)			8.5" x 11"
--	--	--	------------

Avery 6878 4-UP labels for Color Laser			8.5" x 11"
--	--	--	------------

**Envelopes**

Envelope	24 lb.	Preservation Wove 5789 #6 3/4	3.85" x 6.5" (98 x 165 mm)
----------	--------	-------------------------------	----------------------------

**Tab Dividers**

Avery Dennison 20406 (long edge only)			8.5" x 11"
---------------------------------------	--	--	------------

**Specialty Paper**

Thick 2	—	TECHNI-Print 9721PO* T-shirt Transfer Paper**	8.5" x 11"
---------	---	---	------------

\* Paper cannot be used in a high humidity environment.

\*\* T-Shirt Transfer Paper: The 4750i/4050i Series should not be used solely for T-shirt transfer applications. T-Shirt transfer paper should be used on a limited basis, not to exceed a 250-sheet per run maximum. If a misfeed should occur, clear it immediately (due to the odor) and then run 15-25 sheets of regular plain paper (20 lb) through the device to clean the fusing rollers.

T-Shirt Transfer paper cannot be used in high humidity environments.

# HOW TO BUILD A SYSTEM FOR THE BIZHUB 4750I/4050I DIGITAL PRINTER/COPIER/SCANNER/FAX (FROM START TO FINISH)

## STEP 1: BASE UNIT

- **4750i Digital Printer/Copier/Scanner/Fax/Finisher**  
Includes PS, PCL & XPS Controller, 5 GB Memory, 250 GB SSD, Standard Wireless Connectivity and Web Browser, Standard Super G3 Fax, Standard Gigabit Ethernet, Duplex Unit, 80-sheet Dual Scan Document Feeder, Standard USB 2.0 (supports local printing), Toner (Yield: 20K) and Imaging Unit.
- **4050i Digital Printer/Copier/Scanner**  
Includes PS, PCL & XPS Controller, 5 GB Memory, 250 GB SSD, Standard Wireless Connectivity and Web Browser, Standard Gigabit Ethernet, Duplex Unit, 80-sheet Dual Scan Document Feeder, Standard USB 2.0 (supports local printing), Toner (Yield: 20K) and Imaging Unit.

## STEP 2: PAPER HANDLING OPTIONS

- PF-P21 Paper Feed Unit (500 sheets, maximum 2)
- PF-P25 Height Adjustment Unit
- DK-P05 Copy Desk

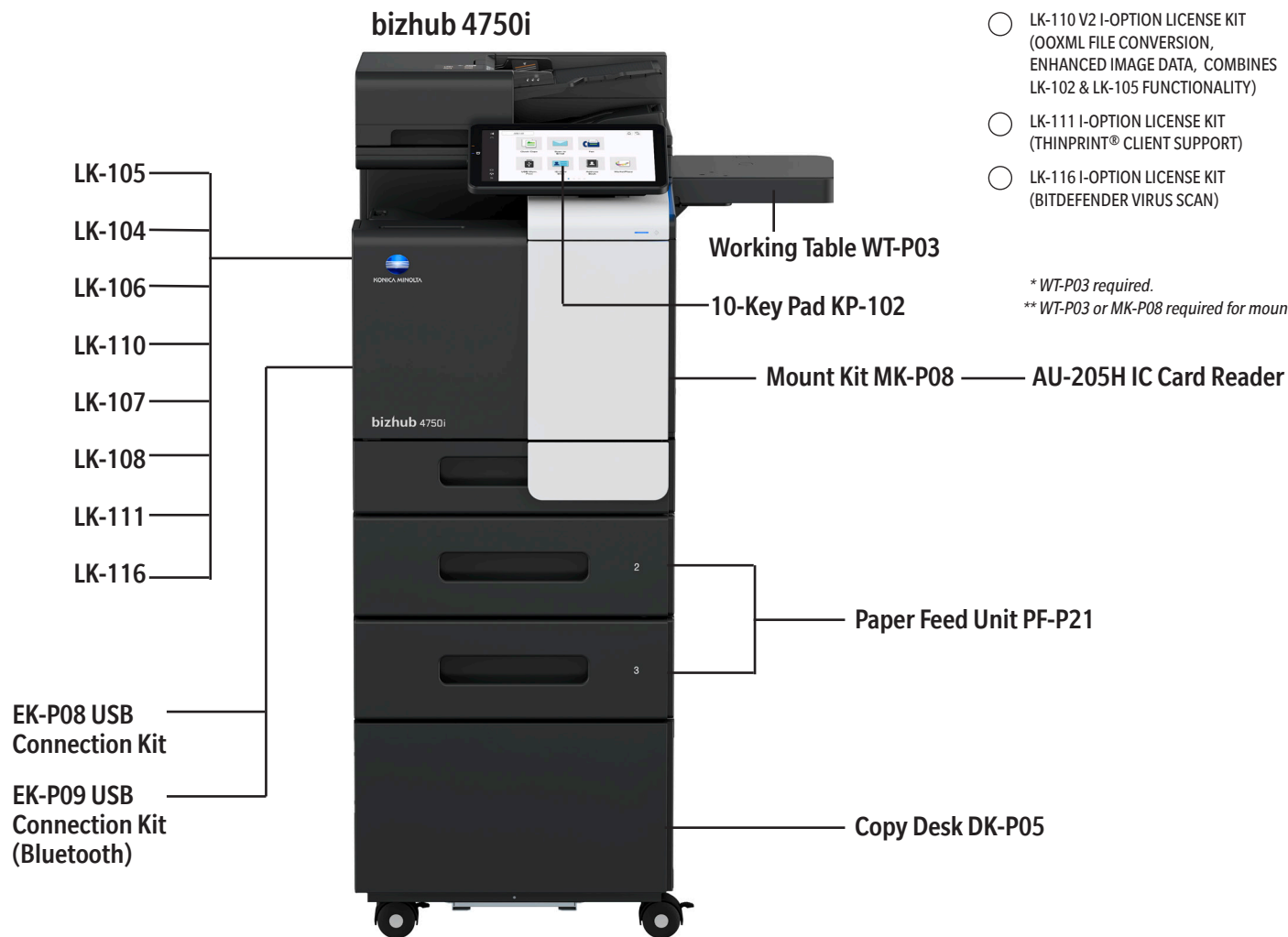
## STEP 3: FINISHING OPTION:

- CS-1 Convenience Stapler
- FS-P04 Off-line Stapler

## STEP 4: ADDITIONAL OPTIONS:

- AU-102 BIOMETRIC AUTHENTICATION\*
- AU-205H IC CARD READER\*\*
- MK-P08 MOUNT KIT FOR CARD READER
- EK-P08 USB CONNECTION KIT
- EK-P09 USB CONNECTION KIT – BLUETOOTH
- KP-102 10-KEY PAD
- FK-517 FAX KIT (OPTION FOR 4050I ONLY)
- WT-P03 WORKING TABLE
- PDF/A (1A/1B) AND LINEARIZED PDF SUPPORT)
- LK-104 V3 I-OPTION LICENSE KIT (VOICE GUIDANCE)
- LK-105 V4 (SEARCHABLE PDF)
- LK-106 I-OPTION LICENSE KIT (BARCODE FONT PRINTING)
- LK-107 I-OPTION LICENSE KIT (UNICODE FONT PRINTING)
- LK-108 I-OPTION LICENSE KIT (OCR FONT PRINTING)
- LK-110 V2 I-OPTION LICENSE KIT (OOXML FILE CONVERSION, ENHANCED IMAGE DATA, COMBINES LK-102 & LK-105 FUNCTIONALITY)
- LK-111 I-OPTION LICENSE KIT (THINPRINT® CLIENT SUPPORT)
- LK-116 I-OPTION LICENSE KIT (BITDEFENDER VIRUS SCAN)

\* WT-P03 required.  
\*\* WT-P03 or MK-P08 required for mounting.



## ACCESSORY OPTIONS FOR BIZHUB 4750I/4050I DIGITAL PRINTER/COPIER/SCANNER/FAX

ACCESSORIES	ITEM NO.	DESCRIPTION	NOTES
<b>BASE UNIT</b>			
4750i	ACT8011	Digital Printer/Copier/Scanner/Fax	Includes PS, PCL & XPS Controller, 5 GB Standard Memory, 250 GB SSD, Standard Wireless Connectivity and Web Browser, Standard Super G3 Fax, Standard Gigabit Ethernet, Duplex Unit, 80-sheet Dual Scan Document Feeder, Standard USB 2.0 (supports local printing), Toner (Yield: 20K) and Imaging Unit.
4050i	ACT9011	Digital Printer/Copier/Scanner/Fax	Includes PS, PCL & XPS Controller, 5 GB Standard Memory, 250 GB SSD, Standard Wireless Connectivity and Web Browser, Standard Gigabit Ethernet, Duplex Unit, 80-sheet Dual Scan Document Feeder, Standard USB 2.0 (supports local printing), Toner (Yield: 20K) and Imaging Unit.
<b>PAPER HANDLING OPTIONS</b>			
DK-P05	135900	Copy Desk	Adds storage and mobility. Brings MFP up to working height.
PF-P21	ACEVWY1	Paper Feed Unit	Lower feeder unit adds 500 sheets of paper capacity (8.5" x 11" or 8.5" x 14"). Add up to 2. Total paper capacity: 1600 sheets
PF-P25	AAJUW12	Height Adjustment Unit	Increases height of machine.
<b>FINISHING OPTIONS</b>			
CS-1	7640013463	Convenience Stapler	Standalone electronic stapler.
FS-P04	ACCGWY1	Stapler	Provides 20-sheet corner stapling off-line finisher.
<b>ADDITIONAL OPTIONS</b>			
AU-102	A0X9WY1	Biometric Authentication Unit	Scans finger vein patterns to enable users to gain access to the device. Requires WT-P03 Working Table.
AU-204H	7640013468	Magnetic Stripe Card Reader	Allows authorized access to the MFP using Magnetic Stripe Cards. Requires WT-P03 Working Table.
AU-205H	R5427000136466	IC Card Reader	Allows access to the MFP via HID Proximity Cards. Working table recommended. Supports IC card types.
AU-211P	—	CAC/PIV Solution with Certificate	Requires WT-P03 Working Table. Contact your local Government Account Manager for information.
EK-P08	ACCTWY1	Local USB Interface Kit	Required to connect optional external keyboard and supports Voice Guidance functions available with optional LK-104 v3.
EK-P09	ACCVWY1	Local USB Interface Kit	Required to connect optional external keyboard, provides bluetooth printing support for mobile phone link and supports Voice Guidance functions available with optional LK-104 v3.
External Keyboard	7640006869	External Keyboard	Computer type keyboard for alphanumeric data entry (alternative to the standard QWERTY keyboard available on the MFP's LCD). Requires either EK-P08 or EK-609 and KH-P02.
FK-517	AA1K011	Fax Kit	Adds Super G3 fax functionality for the bizhub 4050i (standard for the bizhub 4750i).
KH-P02	ACCFWY1	Keyboard Holder	Holds the optional QWERTY keyboard in place on the MFP.
KP-102	AACJWY1	10-Key Pad	Optional 10 Key Pad. Supports Voice Guidance function available with optional LK-104 v3 i-Option License Kit. Affixes to the right-hand side of the control panel.
LK-104 v3	AOPD017	i-Option License Kit	Provides Voice Guidance functionality.
LK-105 v4	AOPD11T	i-Option License Kit	Provides Searchable PDF functionality. Please note that the LK-110 v2 supports the same functions as the LK-105 v4, therefore, both license kits cannot be installed on the same device.
LK-106	AOPD119	i-Option License Kit	Provides Bar Code Font printing support.
LK-107	AOPD11F	i-Option License Kit	Provides Unicode Font printing support.
LK-108	AOPD11G	i-Option License Kit	Provides OCR Font printing support.
LK-110 v2	AOPD11U	i-Option License Kit	Provides DOCX, XLSX format file conversion, Fax to searchable PDF, convert print data in box to compact PDF, combines LK-102 (encrypted PDF) & LK-105 (searchable PDF/OCR) functionality. Please note that if you install the LK-110 V2 on a device, you cannot install the LK-105 v4 on the same device.
LK-111	AOPD11K	i-Option License Kit	Provides ThinPrint client support.
LK-116	AOPDAA1	i-Option License Kit	Bitdefender® antivirus provides real time scanning of all incoming and outgoing data.
MK-P08	ACCKWY1	Mount Kit	Internal mount kit for AU-205H HID Card Authentication Units. Required if card readers are not mounted using the WT-P03 Working Table.
WT-P03	ACCRWY1	Working Table	Recommended for use with FS-P04, CS-1 or Authentication Units.
EM-908	ACDJWY1	Expanded Memory SSD	1 TB SSD to increase storage space.
UK-P19	ACCNWY1	Double feed detection kit	Multi-feed detector to reduce errors and paper jams

## CONSUMABLE YIELDS

\*Based on 5% total coverage

CONSUMABLE	ITEM NO.	YIELD
Toner - Black	ACTD030	20,000
IU-P35K Drum Imaging Unit - Black	AAJV01D	200,000
Waste Toner Box	ACDNOY1	32,000
Fusing Unit	AJRR70300	400,000

\* Based on 5% total coverage.







For complete information on Konica Minolta products and solutions,  
please visit: [CountOnKonicaMinolta.com](https://www.CountOnKonicaMinolta.com)

© 2021 KONICA MINOLTA BUSINESS SOLUTIONS U.S.A., INC. All rights reserved. Reproduction in whole or in part without written permission is prohibited. KONICA MINOLTA, the KONICA MINOLTA logo and bizhub are registered trademarks or trademarks of KONICA MINOLTA, INC. All other product and brand names are trademarks or registered trademarks of their respective companies or organizations. All features and functions described here may not be available on some products. Design & specifications are subject to change without notice.



**KONICA MINOLTA**

**KONICA MINOLTA BUSINESS SOLUTIONS U.S.A., INC.**  
100 Williams Drive, Ramsey, New Jersey 07446

**[CountOnKonicaMinolta.com](https://www.CountOnKonicaMinolta.com)**



Item #: 4750I4050ISIG  
1/2021-Z